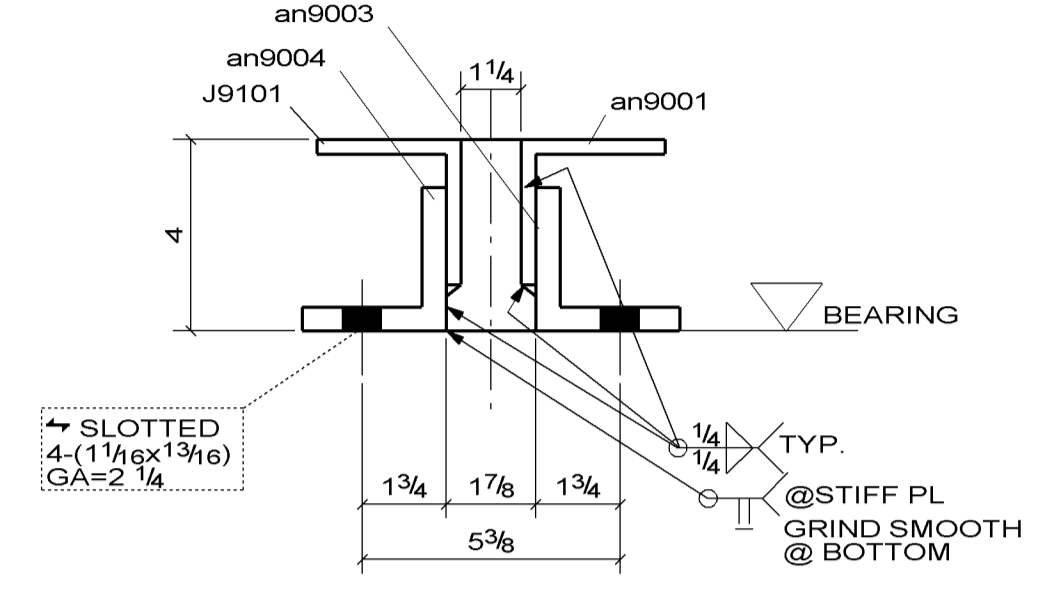


LOCATION

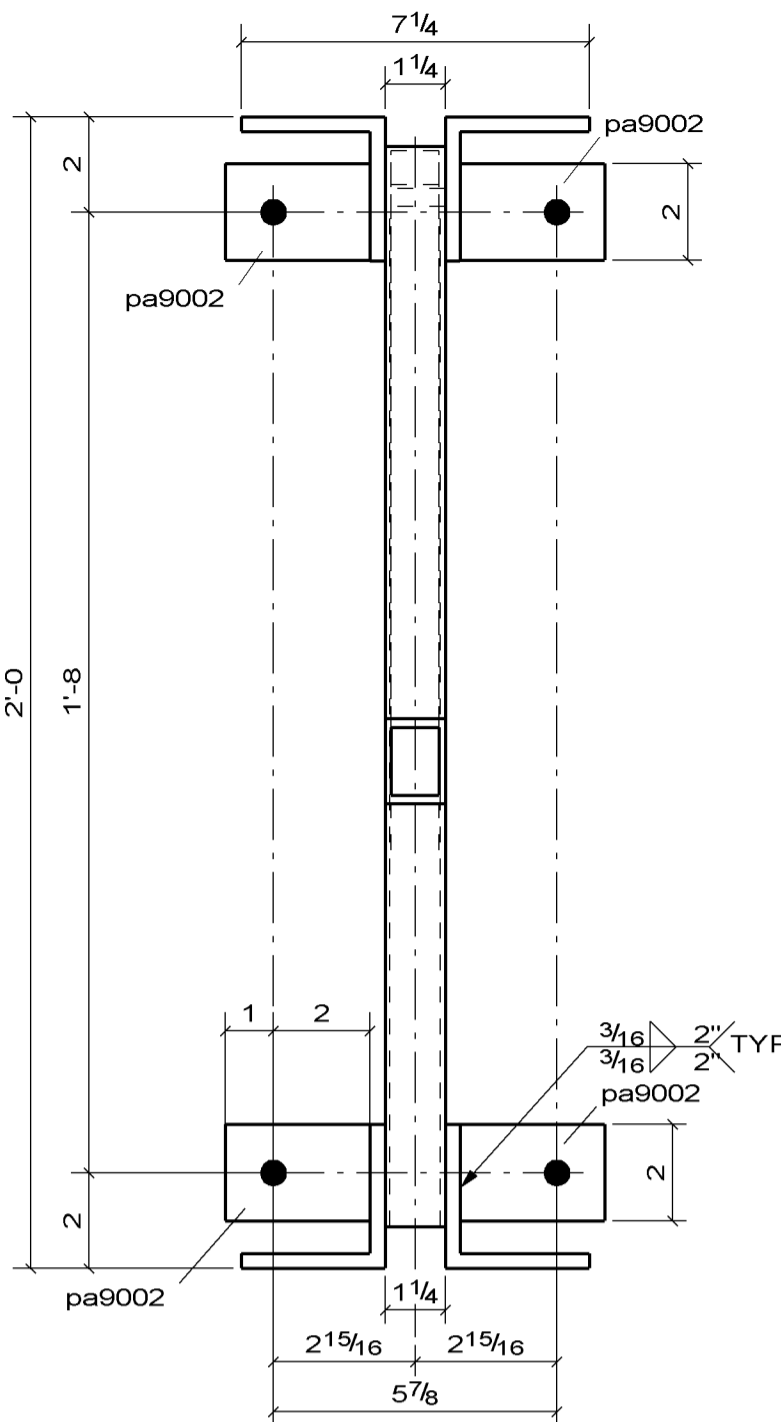
MARK	QTY	T.O.S	GRID REF	AREA
J9101	2	117'-0"1/16	A-C/2-3	9
J9101	1	117'-0"1/16	A-C/3	9
J9101	2	117'-0"1/16	A-C/3-4	9
J9101	2	117'-0"1/16	A-C/4-5	9

BILL OF MATERIAL								
ITEM MARK	SHIPPING MARK	ASSY MARK	NO. REQ'D	DESCRIPTION	LENGTH	GRADE	WEIGHT	REMARKS
J9101			7	OWSJ				
	J9101		7	L76X76X7.9	28'-1"	300W	1194	CS2E, CAMBER 16mm
	an9001		7	L76X76X7.9	28'-1"	300W	1194	CS2E
	an9002		14	L76X76X7.9	25'-8"	300W	2182	CS2E
	an9003		14	L76X76X12.7	1'-0"	300W	131	CS2E
	an9004		14	L76X76X12.7	1'-0"	300W	131	CS2E
	hs9001		42	HSS32X32X3.2	2'-6 15/16"	350W-C	193	CS2E
	hs9002		91	HSS32X32X2.5	1'-9 1/4"	350W-C	239	CS2E
	hs9003		42	HSS32X32X3.2	2'-6 15/16"	350W-C	193	CS2E
	hs9004		14	HSS32X32X3.2	2'-5 1/4"	350W-C	61	CS2E
	pa9001		14	PL3/4X1 7/8	0'-4"	300W	16	
	pa9002		56	PL3/16X2	0'-3"	300W	18	
TOTAL =							5552	

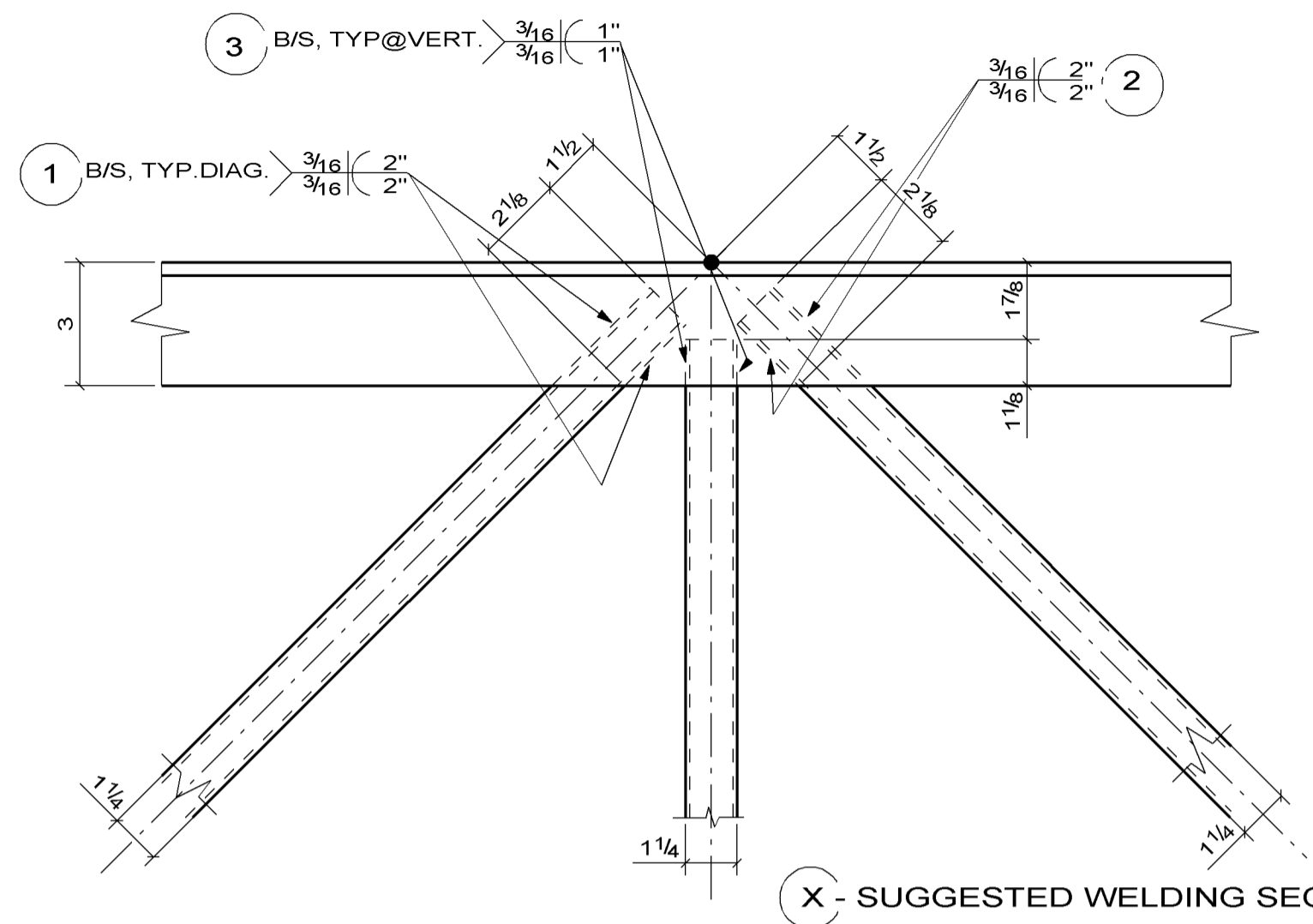
BOLT SUMMARY - QTY'S ARE FOR ONE ASSEMBLY ONLY						
ASSEMBLY	NO. REQ'D	DIA.	LENGTH	WORKSHOP/SITE	BOLT GRADE	REMARKS
J9101	8	3/4"	2"	SITE	A325PLAIN/HEAVY_HEX	



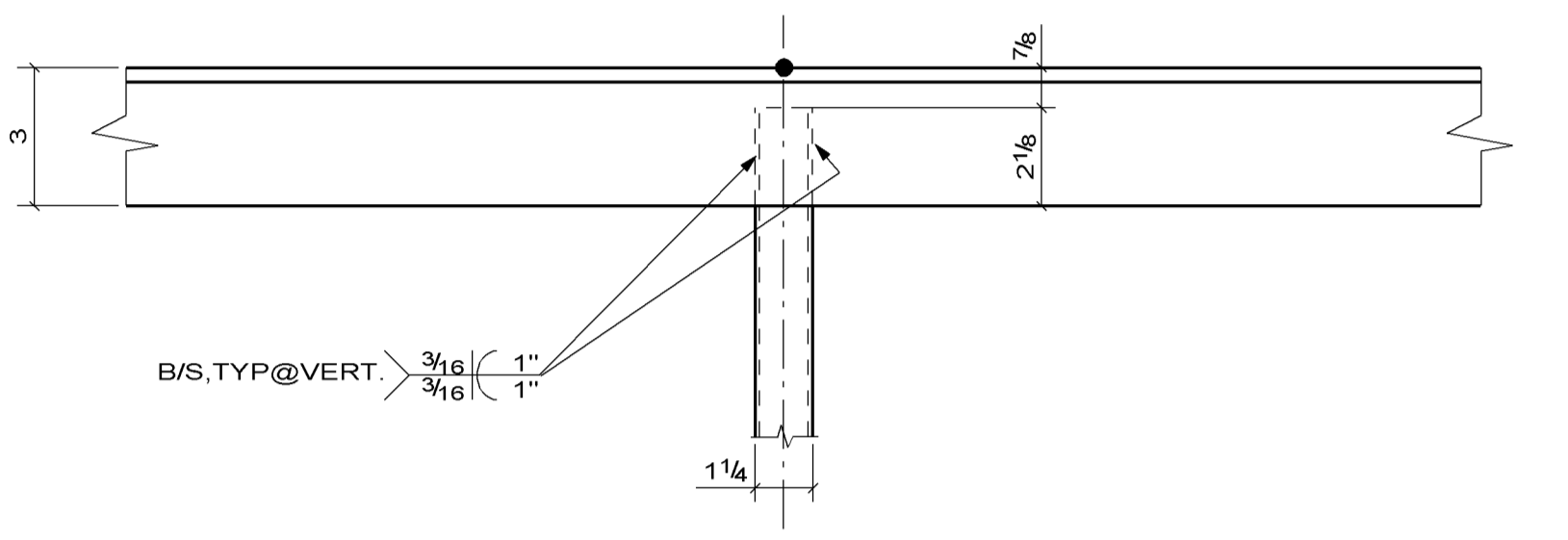
A - A
(WEB MEMBERS NOT SHOWN FOR CLARITY)
(2 LOCATIONS)



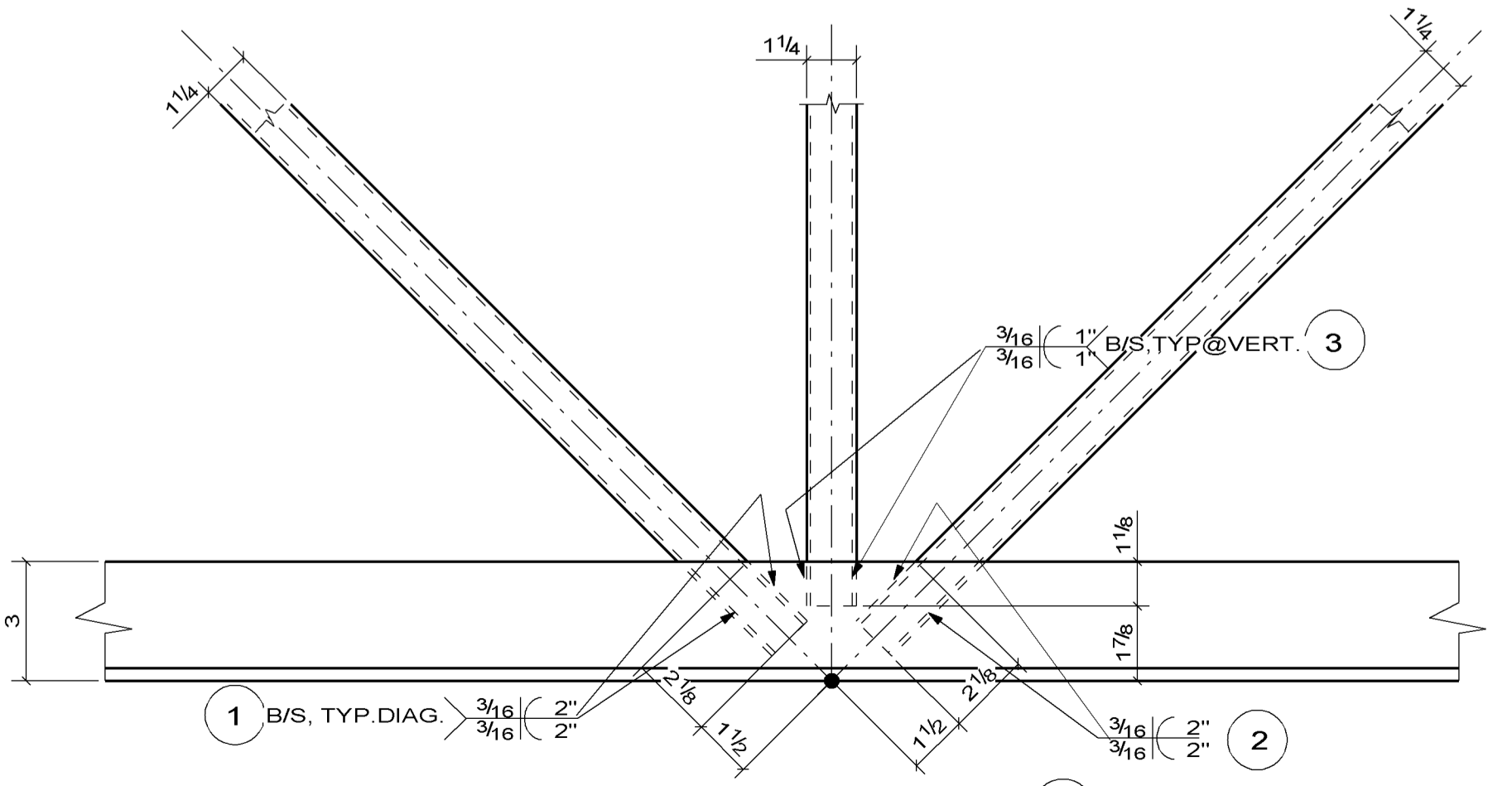
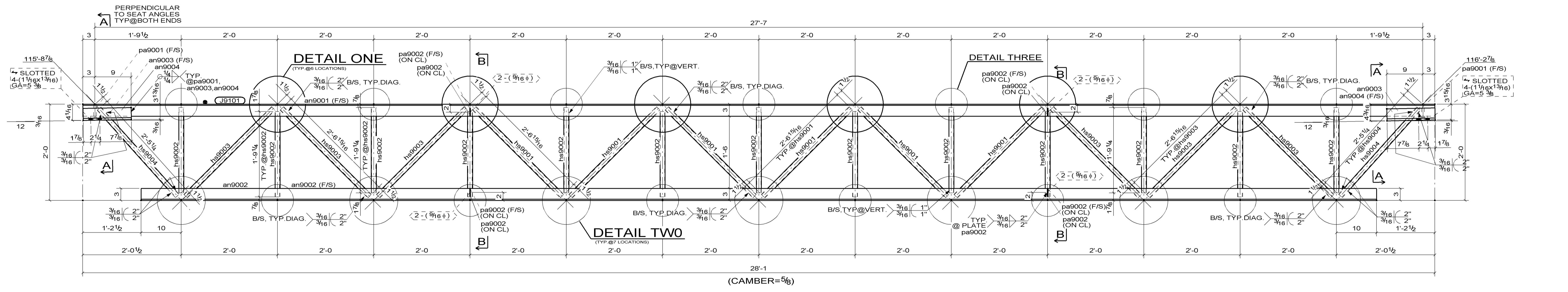
B - B
(2 LOCATIONS)



DETAIL ONE
(@TOP CHORD - 6 LOCATIONS)



DETAIL THREE
(13 LOCATIONS)



DETAIL TWO
(@BTM CHORD - 7 LOCATIONS)

FABRICATOR NOTE:
 - ALL DIAGONALS:
 2" LG WELDS (8" IN TOTAL)
 AS SHOWN ON DETAIL ONE AND TWO
 - ALL VERTICALS:
 1" LG WELDS (4" IN TOTAL)
 - AVOID ANY ECCENTRICITIES,
 KEEP WORK POINTS AS SHOWN
 ON THIS PAGE
 - PROVIDE 16mm (5/8") CAMBER

7 OWSJ(s) MARK: J9101

JAN/31/2011	ISSUED FOR FABRICATION
JAN/15/2011	ISSUED FOR APPROVAL
SHOP PAINT:	
J9101	COAT PRIMER CGSB-40
NO BACK CHARGES WILL BE ACCEPTED WITHOUT PRIOR AUTHORIZATION IN WRITING	
NOTE:	
TOP COAT: REFER TO PAINT NOTES SHOWN ON EJ1.	



MATERIAL: 350W UNO	SURF. PREP: SSPC-SP-3, UNO
BOLT: A325 UNO	WELD: 3/16 UNO
HOLE SIZE: AS NOTED	ELECTRODE: E49XX

www.belairfabrication.com
tel: 604 924 0845 fax: 604 924 0846

1667 - Columbia Street, North Vancouver BC, V7J 1A5
Phone#: 604-924-0049 Fax#: 604-924-0846

JOB NAME & LOCATION: MR. LUBE CANADA LP 2299 King George Boulevard Surrey, B.C.		ARCH: Omicron Architecture Engineering Construction LTD. ENGR: Omicron Architecture Engineering Construction LTD. CONTR: Willow Spring Construction (B.C.) Ltd.
---	--	---

REF: EJ1	JOB NO: 013-022
DRAWN BY: JO	DWG. NO: J9101
JAN/10/2011	CHECKED BY: DKL
JAN/10/2011	